



# 3105164 OPTIONAL HEAT KIT

## Installation Instructions for Model Series 5791X, 59016 & 59516

### A. PRECAUTIONS

#### **! WARNING**

Improper installation may damage equipment, could endanger life, cause serious injury and/or property damage.

1. Read Installation and operating instructions carefully before attempting starting your air conditioner.
2. The Dometic Corporation will NOT be liable for any damages or injury incurred due to failure in following these instructions.

3. The installed air conditioner and Heat Kit must be serviced by qualified personnel and some States require these people to be licenced.

#### **! WARNING**

The electrical power supply to the air conditioner must be "OFF" during the installation of this heat kit. Failure to follow this instruction may create a shock hazard.

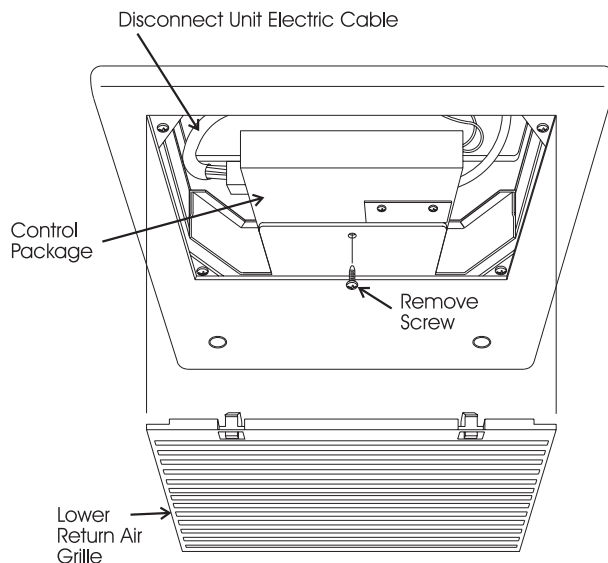
4. Read and understand these instructions before attempting to install the Heat Kit.

### B. RETURN AIR COVER REMOVAL

**Note:** If the Heat Kit is being installed during the air conditioner installation, go to Section "C".

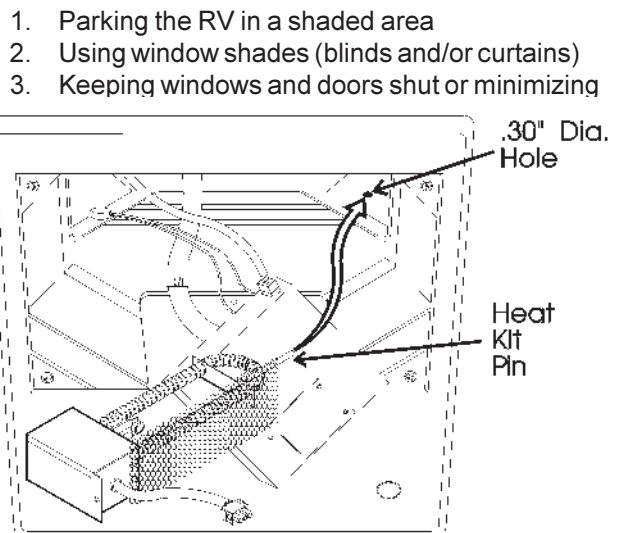
If air conditioner is currently installed, do the following:

1. Remove return air grille by springing holding tabs inward slightly to release from return air cover.
2. Remove screw holding control package in place on Ceiling Template. Carefully move this package down and swing out away from the return air opening in the base pan of the air conditioner. It may be necessary to disconnect the thermostat cable and unit electrical cable to aid moving package.



### C. HEATER INSTALLATION

1. Remove the Heat Kit from the carton.
2. Look up through the base return air opening and locate the 0.30" diameter hole on right side of the evaporator bulkhead as shown below.
3. With the grille portion of the Heat Kit pointed downward, place Heat Kit Pin into the 0.30" diameter hole. Push pin through approximately one (1) inch.



1. Parking the RV in a shaded area
2. Using window shades (blinds and/or curtains)
3. Keeping windows and doors shut or minimizing

#### REVISION

Form No. 3105168.037 12/99  
(Replaces 3105168.028) (French 3108129.002)  
©1999 The Dometic Corporation  
LaGrange, IN 46761

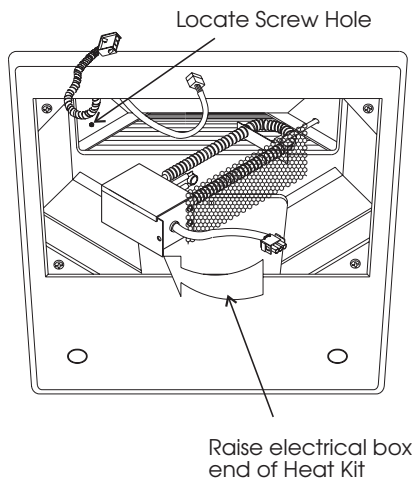
**⚠ CAUTION**

**Pull ribbon cable on the air conditioner completely out of the way when installing Heat Kit. This will ensure that the screen guard on the element does not damage the ribbon cable.**

4. Raise the electrical box end of the Heat Kit upward through the return air opening of the base pan.

**Note:** Use care when installing Heat Kit to ensure the sealant used in the air conditioner does not contact the fins of the Heat Element. The red sealant will smoke as it cures if allowed to stick to the Heat Element Fins. If red sealant sticks to Heat Element Fins during installation, remove Kit and completely wipe off the sealant.

5. Locate screw hole in left side of evaporator bulkhead.
6. Install the provided #10 screw through Heat Kit electrical box and into bulkhead.
7. If installing on an existing installation, go to Section D. If installing on a new installation, go to Section E.



**D. COMPLETE INSTALLATION ON EXISTING AIR CONDITIONER INSTALLATION**

1. Reinstall control package onto Ceiling Template using screw previously removed.
2. Reconnect thermostat cable and unit electrical cable if disconnected previously.
3. Plug electrical cord from Heat Kit into mating connector on control package.
4. If the installation uses Dometic **Electronic Control Kit**, go to Section G to reconfigure the kit. For **Analog Control Kit**, refer to Section F.

**E. COMPLETE INSTALLATION ON NEW AIR CONDITIONER INSTALLATION**

1. Return to air conditioner installation and complete air conditioner installation.
2. Plug electrical cord from Heat Kit into mating connector on control package at the appropriate point in air conditioner installation process.
3. Go to Section F.

**F. AFTER INSTALLATION COMPLETE**

1. Check to ensure thermostat connector cable, ribbon cable, unit electrical cable and freeze control wires DO NOT touch the heater or heater screen guard. Adjust these items as necessary to ensure clearance to screen guard and heater.
2. Turn on electrical power to air conditioner.
3. Check operation per the instructions provided with the air conditioner.

**G. ELECTRONIC CONTROL KIT CONFIGURATION FOR ELECTRIC HEAT KIT**

**⚠ WARNING**

**Ensure all 115 Volt AC and 12 Volt DC power is shut off.**

1. Locate **Electronic Control Kit**.
2. Remove access cover to expose dip switches.  
**NOTE:** The Electronic Control Kit is factory shipped with dip switches in the "OFF" position.
3. Place dip switch #1 Heat Strip to "ON" position.
4. Replace access cover.
5. Turn on electrical power to the air conditioner.

**6. SYSTEM CHECKOUT AND CONFIGURATION**

Now that the system is installed, it is necessary to check all operations and then configure the electronics.

Refer to the Operating Manual for a description of the air conditioner operation.

- a. **SYSTEM CHECKOUT:** Verify that all features of the installed system work. Check fan speeds, cooling mode, heat pump mode, furnace (if connected) and heat strip. If the features do not work, check all wiring and confirm that the correct options have been selected on the Electronic Control Box. (See Comfort Control Center™ Operating Instructions).
- b. **SYSTEM CONFIGURATION:** If all features are functioning, perform the following configuration procedure: Simultaneously depress the **UP** and **DN** push-button on the Comfort Control Center™ for one second. This completes the system configuration.

